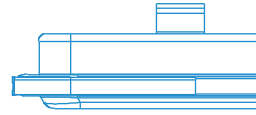


LED WATERTIGHT LINEAR LUMINAIRE



WTA SERIES



Application

Decks, Marinas, Docks, Ports, Warehouses

Mounting Method

Surface mounted

Material

Diffuser: Polycarbonate

Housing: Zinc coated steel, Powder coated white

Electrical

Flexible wiring, Heat resistant up to 105°C

Options

Stainless steel housing

3 hours emergency battery pack

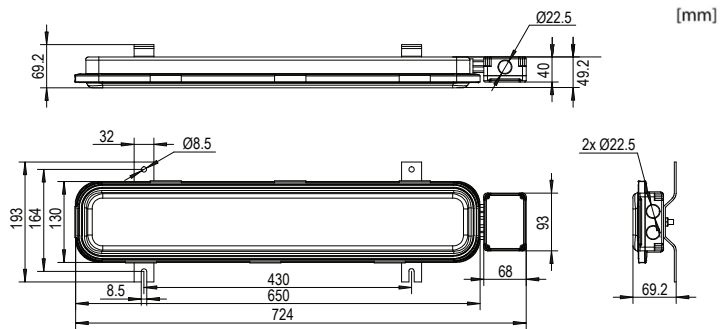
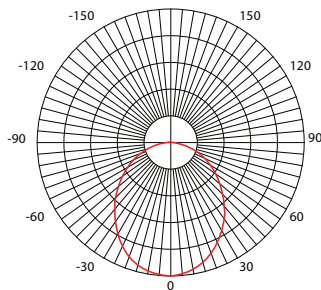
24V DC emergency system

Weight

2.0Kg

Key Features

- Super thin light weight design
- Specially design high transmission PC diffuser for visual comfort
- Superior thermal design to allow the luminaire to operate at high ambient temperature of up to 50°C
- Designed with reliable AC driver on board to enhance the service life
- Designed with junction box for fast termination
- Ideal for upgrading existing conventional watertight fixture
- Long service life of 100,000 hours
- Marine class compliance



TECHNICAL SPECIFICATIONS

IP 67

Ideal Replacement: 2 X 18W

Type	Dimensions (LxWxH)	Main Voltage	Power	CCT	Ambient Temp	System Lumen
WTAI205V0	650x130x49.2mm	100V ~ 120V AC / 220V ~ 240V AC	20W	5,000K	-30 ~ 50°C	2000lm

Also available in other CCT.

*Ambient Temperature not applicable for Battery Backup System and Emergency Lighting.

