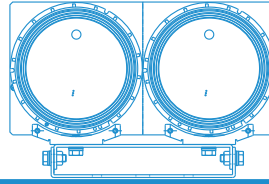


# MODULAR LED FLOODLIGHT



## MFL 2 SERIES



### Key Features

- Triac dimming compatible (220V-240VAC & 100V-120VAC only)
- Designed with reliable AC driver on board to enhance the service life
- Rapid heat-dissipating design to prolong lamp life and optimise lumen output
- Long service life of 100,000 hours @ 50°C (Ta)
- Compact and lightweight design
- Interchangeable module
- Safety, EMC and IEC compliance



### Application

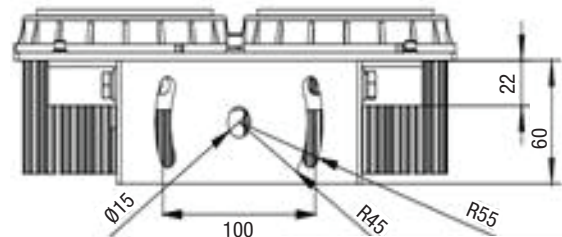
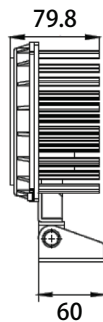
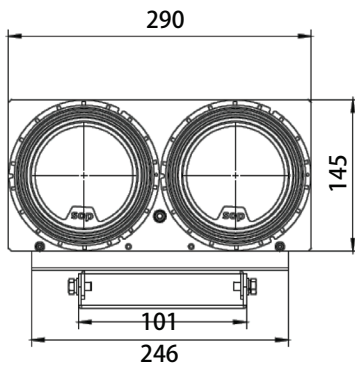
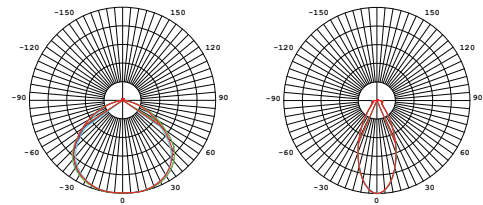
Decks, Marinas, Docks, Ports, Warehouses

### Material

Marine grade aluminium alloy with powder coating, comes with 4mm tempered glass front cover

### Weight

3.5Kg



## TECHNICAL SPECIFICATIONS IP 66

Ideal Replacement:



BH Code	Type	Main Voltage	Power	CCT	Beam Angle	Ambient Temp (Ta)	System Lumen
LAMFL25FA2	MFL2FA2	220V - 240V AC	112W	5000K	115°	-40°C ~ +50°C	11000lm
LAMFL25NA2	MFL2NA2	220V - 240V AC	112W	5000K	45°	-40°C ~ +50°C	10800lm
LAMFL25FA1	MFL2FA1	100V - 120V AC	112W	5000K	105°	-40°C ~ +50°C	9000lm
LAMFL25NA1	MFL2NA1	100V - 120V AC	112W	5000K	45°	-40°C ~ +50°C	9000lm
LAMFL25FD	MFL2FD	24V DC	112W	5000K	130°	-40°C ~ +50°C	9800lm
LAMFL25ND	MFL2ND	24V DC	112W	5000K	35°	-40°C ~ +50°C	9200lm

Also available in other CCT and beam angle upon request.

