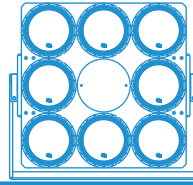


MODULAR LED FLOODLIGHT



MFL 8 SERIES



Key Features

- 0-10V dimming compatible
- Rapid heat-dissipating design to prolong lamp life and increases lumen output
- Compact and lightweight design
- Long service life of >50,000 hours L70 @ 50°C (Ta)
- Safety, EMC and IEC compliance

Application

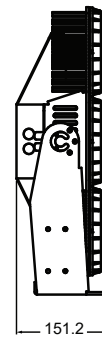
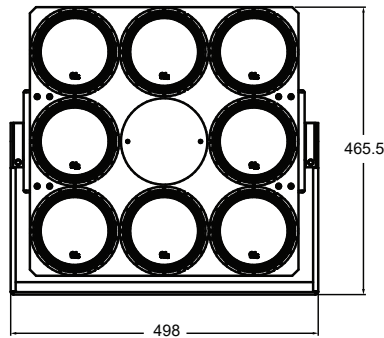
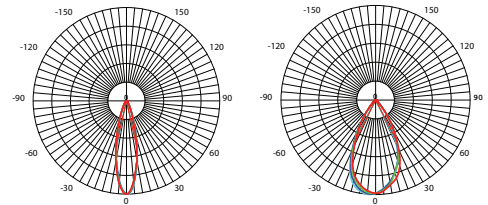
Decks, Marinas, Docks, Ports, High masts

Material

Marine grade aluminium alloy with powder coating, comes with 4mm tempered glass front cover and high-efficiency optical lens

Weight

21.0Kg



TECHNICAL SPECIFICATIONS IP 65

Ideal Replacement:



BH Code	Type	Main Voltage	Power	CCT	Beam Angle	Ambient Temp (Ta)	System Lumen
LAMFL85FA3	MFL8FA3	110V - 277V AC	495W	5000K	60°	-20°C ~ +50°C	62000lm
LAMFL85NA3	MFL8NA3	110V - 277V AC	495W	5000K	38°	-20°C ~ +50°C	62000lm

