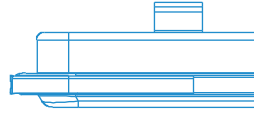


LED WATERTIGHT LINEAR LUMINAIRE



LMWS SERIES



Application

Decks, Engine rooms, Marinas, Docks, Ports, Warehouses

Mounting Method

Surface mounted

Material

Diffuser: Polycarbonate
Housing: Zinc coated steel or SUS316 stainless steel, Powder coated white

Electrical

Flexible wiring, Heat resistant up to 105°C

Options

20V-32V DC

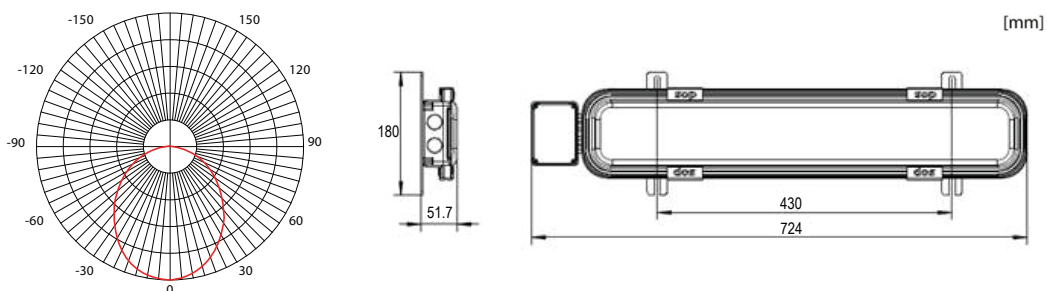
Weight

LMWS20 (ZCS): 2.0Kg LMWS20 (SUS316): 2.1Kg
LMWS40 (ZCS): 3.7Kg LMWS40 (SUS316): 3.8Kg
With 2nd Junction Box: Add 0.2Kg

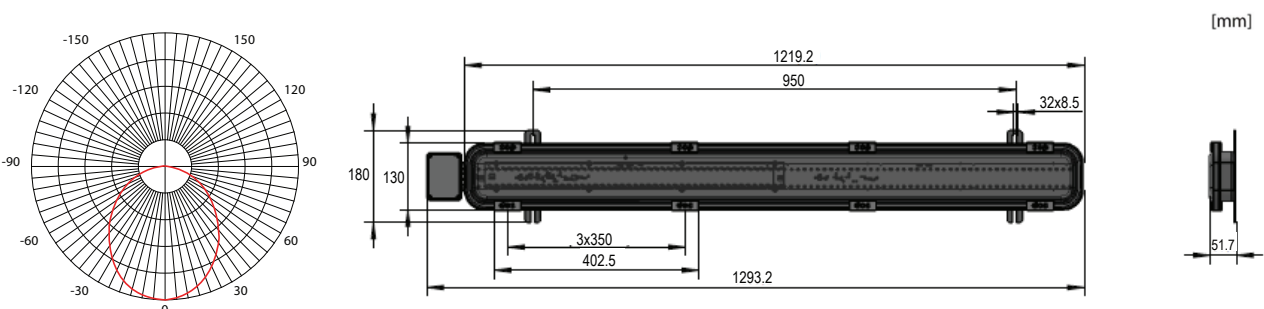
Key Features

- Super thin light weight design
- Superior thermal design to allow the luminaire to operate at high ambient temperature up to 60°C, suitable for usage even in hot engine room
- Designed with reliable AC driver on board to enhance the service life
- Designed with junction box for fast termination
- Polycarbonate diffuser prevents glare for better eye comfort
- Supports dual voltage AC100V-120V / 220V-240V. Option for DC20V-32V available
- Long service life of 50,000 hours @ 50°C (Ta)
- Marine class compliance

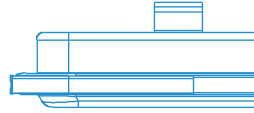
LMWS20



LMWS40



LED WATERTIGHT LINEAR LUMINAIRE



LMWS SERIES

- 10 Denotes : Zinc coated steel housing w/1 junction box
- 1B Denotes : Zinc coated steel housing w/1 junction box & 3hr NiMH battery backup
- 1E Denotes : Zinc coated steel housing w/1 junction box & DC24V emergency LED
- 20 Denotes : Zinc coated steel housing w/2 junction box
- 2B Denotes : Zinc coated steel housing w/2 junction box & 3hr NiMH battery backup
- 2E Denotes : Zinc coated steel housing w/2 junction box & DC24V emergency LED
- 1S0 Denotes : Stainless steel housing w/1 junction box
- 1SB Denotes : Stainless steel housing w/1 junction box & 3hr NiMH battery backup
- 1SE Denotes : Stainless steel housing w/1 junction box & DC24V emergency LED
- 2S0 Denotes : Stainless steel housing w/2 junction box
- 2SB Denotes : Stainless steel housing w/2 junction box & 3hr NiMH battery backup
- 2SE Denotes : Stainless steel housing w/2 junction box & DC24V emergency LED

TECHNICAL SPECIFICATIONS IP 67

Ideal Replacement:

BH Code	Type	Main Voltage	Power	CCT	Ambient Temp (Ta)	System Lumen
IGLALMWS2010	LMWS2010	100V - 120V/220V - 240V AC	20W	5000K	-30°C ~ +60°C	2000lm
IGLALMWS201B	LMWS201B	100V - 120V/220V - 240V AC	20W	5000K	-30°C ~ +60°C	2000lm
IGLALMWS201E	LMWS201E	100V - 120V/220V - 240V AC	20W	5000K	-30°C ~ +60°C	2000lm
IGLALMWS2020	LMWS2020	100V - 120V/220V - 240V AC	20W	5000K	-30°C ~ +60°C	2000lm
IGLALMWS202B	LMWS202B	100V - 120V/220V - 240V AC	20W	5000K	-30°C ~ +60°C	2000lm
IGLALMWS202E	LMWS202E	100V - 120V/220V - 240V AC	20W	5000K	-30°C ~ +60°C	2000lm
IGLALMWS201S0	LMWS201S0	100V - 120V/220V - 240V AC	20W	5000K	-30°C ~ +60°C	2000lm
IGLALMWS201SB	LMWS201SB	100V - 120V/220V - 240V AC	20W	5000K	-30°C ~ +60°C	2000lm
IGLALMWS201SE	LMWS201SE	100V - 120V/220V - 240V AC	20W	5000K	-30°C ~ +60°C	2000lm
IGLALMWS202S0	LMWS202S0	100V - 120V/220V - 240V AC	20W	5000K	-30°C ~ +60°C	2000lm
IGLALMWS202SB	LMWS202SB	100V - 120V/220V - 240V AC	20W	5000K	-30°C ~ +60°C	2000lm
IGLALMWS202SE	LMWS202SE	100V - 120V/220V - 240V AC	20W	5000K	-30°C ~ +60°C	2000lm
IGLALMWS2D10	LMWS2D10	20V - 32V DC	22W	5000K	-30°C ~ +60°C	2200lm

Also available in other CCT.

*Ambient Temperature not applicable for the 3Hr NiMH Battery Backup System and Emergency Lighting.

**Optional 93x68x39.5mm 3Hr NiMH Battery Backup module or Emergency Lighting module is installed on the junction box to IP67 rating.



TECHNICAL SPECIFICATIONS IP 67

Ideal Replacement:

BH Code	Type	Main Voltage	Power	CCT	Ambient Temp (Ta)	System Lumen
IGLALMWS4010	LMWS4010	100V - 120V/220V - 240V AC	40W	5000K	-30°C ~ +60°C	4000lm
IGLALMWS401B	LMWS401B	100V - 120V/220V - 240V AC	40W	5000K	-30°C ~ +60°C	4000lm
IGLALMWS401E	LMWS401E	100V - 120V/220V - 240V AC	40W	5000K	-30°C ~ +60°C	4000lm
IGLALMWS4020	LMWS4020	100V - 120V/220V - 240V AC	40W	5000K	-30°C ~ +60°C	4000lm
IGLALMWS402B	LMWS402B	100V - 120V/220V - 240V AC	40W	5000K	-30°C ~ +60°C	4000lm
IGLALMWS402E	LMWS402E	100V - 120V/220V - 240V AC	40W	5000K	-30°C ~ +60°C	4000lm
IGLALMWS401S0	LMWS401S0	100V - 120V/220V - 240V AC	40W	5000K	-30°C ~ +60°C	4000lm
IGLALMWS401SB	LMWS401SB	100V - 120V/220V - 240V AC	40W	5000K	-30°C ~ +60°C	4000lm
IGLALMWS401SE	LMWS401SE	100V - 120V/220V - 240V AC	40W	5000K	-30°C ~ +60°C	4000lm
IGLALMWS402S0	LMWS402S0	100V - 120V/220V - 240V AC	40W	5000K	-30°C ~ +60°C	4000lm
IGLALMWS402SB	LMWS402SB	100V - 120V/220V - 240V AC	40W	5000K	-30°C ~ +60°C	4000lm
IGLALMWS402SE	LMWS402SE	100V - 120V/220V - 240V AC	40W	5000K	-30°C ~ +60°C	4000lm

Also available in other CCT.

*Ambient Temperature not applicable for the 3Hr NiMH Battery Backup System and Emergency Lighting.

**Optional 93x68x39.5mm 3Hr NiMH Battery Backup module or Emergency Lighting module is installed on the junction box to IP67 rating.



Due to our continuous development and product improvement policy, we reserve the rights to revise the specifications of all products without prior notice.