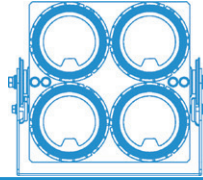


# MODULAR LED FLOODLIGHT



## MFL 4 SERIES



### Key Features

- Triac dimming compatible (**220V-240VAC & 100V-120VAC only**)
- Designed with reliable AC driver on board to enhance the service life
- Rapid heat-dissipating design to prolong lamp life and optimise lumen output
- Long service life of 100,000 hours @ 50°C (Ta)
- Compact and lightweight design
- Interchangeable module
- Safety, EMC and IEC compliance



### Application

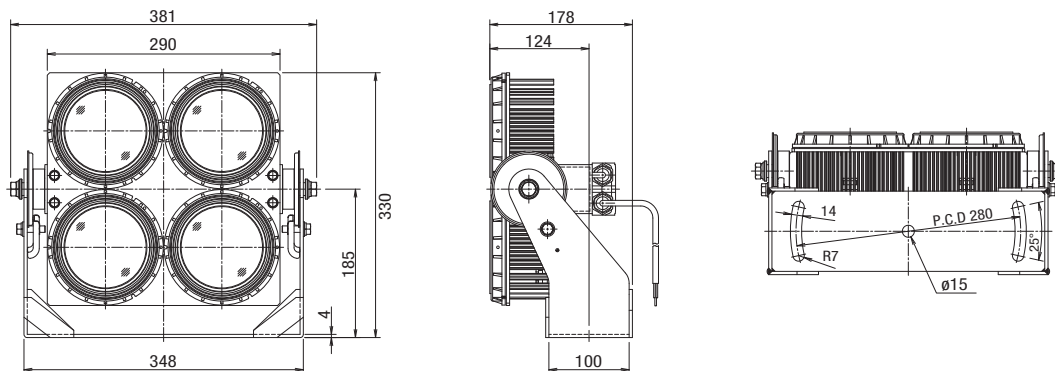
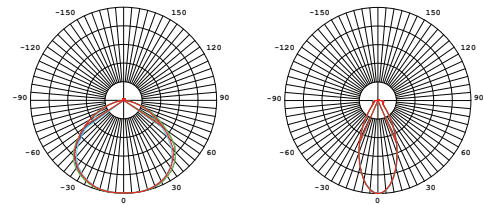
Decks, Marinas, Docks, Ports, Warehouses

### Material

Marine grade aluminium alloy with powder coating, comes with 4mm tempered glass front cover

### Weight

9.3Kg



## TECHNICAL SPECIFICATIONS



Ideal Replacement:



| BH Code    | Type    | Main Voltage   | Power | CCT   | Beam Angle | Ambient Temp (Ta) | System Lumen |
|------------|---------|----------------|-------|-------|------------|-------------------|--------------|
| LAMFL45FA2 | MFL4FA2 | 220V - 240V AC | 224W  | 5000K | 115°       | -40°C ~ +50°C     | 22000lm      |
| LAMFL45FA1 | MFL4FA1 | 100V - 120V AC | 224W  | 5000K | 105°       | -40°C ~ +50°C     | 18000lm      |
| LAMFL45NA1 | MFL4NA1 | 100V - 120V AC | 224W  | 5000K | 45°        | -40°C ~ +50°C     | 18000lm      |
| LAMFL45FD  | MFL4FD  | 24V DC         | 224W  | 5000K | 130°       | -40°C ~ +50°C     | 19600lm      |
| LAMFL45ND  | MFL4ND  | 24V DC         | 224W  | 5000K | 35°        | -40°C ~ +50°C     | 18400lm      |

Also available in other CCT and beam angle upon request.

