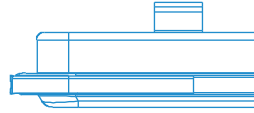
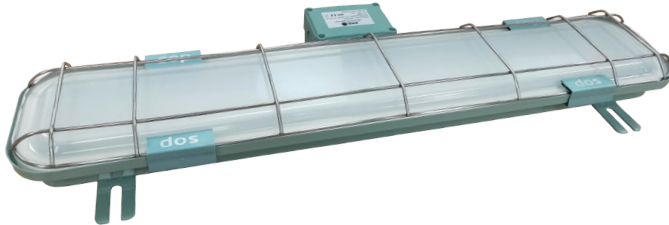


LED WATERTIGHT LINEAR LUMINAIRE



LMWS SERIES



Application

Decks, Engine rooms, Marinas, Docks, Ports, Warehouses

Mounting Method

Surface mounted

Material

Diffuser: Polycarbonate
Housing: Zinc coated steel or SUS316 stainless steel, Powder coated white
Optional protection guard: SUS316 stainless steel

Electrical

Flexible wiring, Heat resistant up to 105°C

Options

20V-32V DC

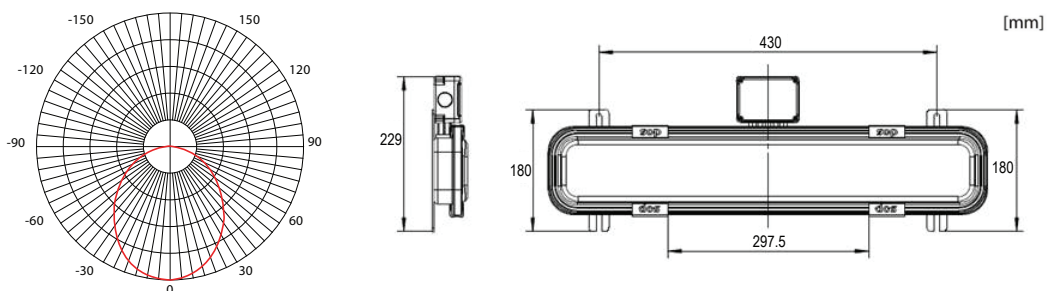
Weight

LMWS20 (ZCS): 2.0Kg LMWS20 (SUS316): 2.1Kg
LMWS40 (ZCS): 3.7Kg LMWS40 (SUS316): 3.8Kg
With 2nd Junction Box: Add 0.2Kg
With LMWS20 Protection Guard: Add 0.2Kg
With LMWS40 Protection Guard: Add 0.4Kg

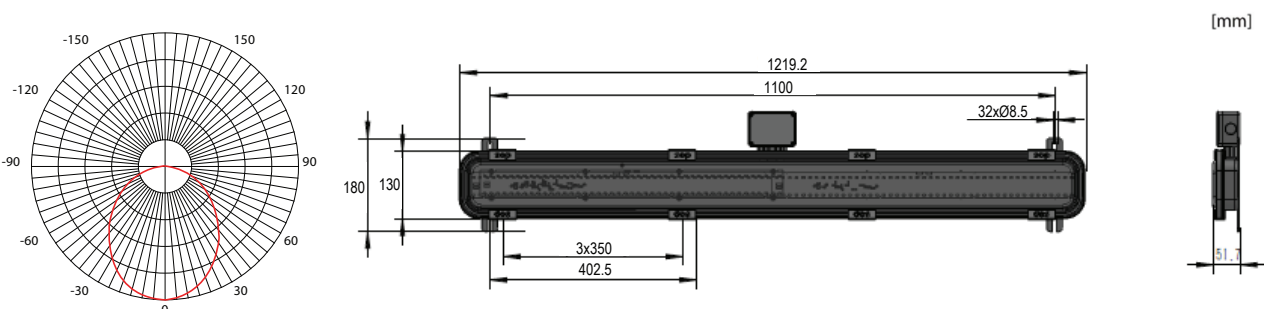
Key Features

- Super thin light weight design
- Superior thermal design to allow the luminaire to operate at high ambient temperature up to 60°C, suitable for usage even in hot engine room
- Designed with reliable AC driver on board to enhance the service life
- Designed with junction box for fast termination
- Polycarbonate diffuser prevents glare for better eye comfort
- Supports dual voltage AC100V-120V / 220V-240V. Option for DC20V-32V available
- Long service life of 50,000 hours @ 50°C (Ta)
- Marine class compliance

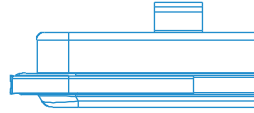
LMWS20



LMWS40



LED WATERTIGHT LINEAR LUMINAIRE



LMWS SERIES

- 50 Denotes : Zinc coated steel housing
- 5B Denotes : Zinc coated steel housing w/3hr NiMH battery backup
- 5E Denotes : Zinc coated steel housing w/DC24V emergency LED
- 5S0 Denotes : Stainless steel housing
- 5SB Denotes : Stainless steel housing w/3hr NiMH battery backup
- 5SE Denotes : Stainless steel housing w/DC24V emergency LED

TECHNICAL SPECIFICATIONS IP 67

Ideal Replacement:

BH Code	Type	Main Voltage	Power	CCT	Ambient Temp (Ta)	System Lumen
IGLALMWS2050	LMWS2050	100V - 120V/220V - 240V AC	20W	5000K	-30°C ~ +60°C	2000lm
IGLALMWS205B	LMWS205B	100V - 120V/220V - 240V AC	20W	5000K	-30°C ~ +60°C	2000lm
IGLALMWS205E	LMWS205E	100V - 120V/220V - 240V AC	20W	5000K	-30°C ~ +60°C	2000lm
IGLALMWS205S0	LMWS205S0	100V - 120V/220V - 240V AC	20W	5000K	-30°C ~ +60°C	2000lm
IGLALMWS205SB	LMWS205SB	100V - 120V/220V - 240V AC	20W	5000K	-30°C ~ +60°C	2000lm
IGLALMWS205SE	LMWS205SE	100V - 120V/220V - 240V AC	20W	5000K	-30°C ~ +60°C	2000lm
IGLALMWS2D50	LMWS2D50	20V - 32V DC	22W	5000K	-30°C ~ +60°C	2200lm
IGLALMWS2D5E	LMWS2D5E	20V - 32V DC	22W	5000K	-30°C ~ +60°C	2200lm

Also available in other CCT.

*Ambient Temperature not applicable for the 3Hr NiMH Battery Backup System and Emergency Lighting.

**Optional 93×68×39.5mm 3Hr NiMH Battery Backup module or Emergency Lighting module is installed on the junction box to IP67 rating.

***Add a "G" at the end of BH code to order luminaire with the optional SUS316 stainless steel protection guard. Eg. IGLALMWS2050G.



TECHNICAL SPECIFICATIONS IP 67

Ideal Replacement:

BH Code	Type	Main Voltage	Power	CCT	Ambient Temp (Ta)	System Lumen
IGLALMWS4050	LMWS4050	100V - 120V/220V - 240V AC	40W	5000K	-30°C ~ +60°C	4000lm
IGLALMWS405B	LMWS405B	100V - 120V/220V - 240V AC	40W	5000K	-30°C ~ +60°C	4000lm
IGLALMWS405E	LMWS405E	100V - 120V/220V - 240V AC	40W	5000K	-30°C ~ +60°C	4000lm
IGLALMWS405S0	LMWS405S0	100V - 120V/220V - 240V AC	40W	5000K	-30°C ~ +60°C	4000lm
IGLALMWS405SB	LMWS405SB	100V - 120V/220V - 240V AC	40W	5000K	-30°C ~ +60°C	4000lm
IGLALMWS405SE	LMWS405SE	100V - 120V/220V - 240V AC	40W	5000K	-30°C ~ +60°C	4000lm

Also available in other CCT.

*Ambient Temperature not applicable for the 3Hr NiMH Battery Backup System and Emergency Lighting.

**Optional 93×68×39.5mm 3Hr NiMH Battery Backup module or Emergency Lighting module is installed on the junction box to IP67 rating.

***Add a "G" at the end of BH code to order luminaire with the optional SUS316 stainless steel protection guard. Eg. IGLALMWS4050G.

