

LED MINI SURFACE DOWNLIGHT



DC SERIES



Key Features

- Light, compact and ultra-thin
- Built-in integrated driver for ease of installation
- 85% energy savings compared with 20W halogen
- Vibration-resistant
- TRIAC and PWM dimming compatible
- FCC safety standard compliance, ETL Listed, RoHS

Application

Cabins, Lounges, Accommodation areas

Material

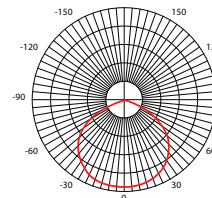
Corrosion-resistant aluminium housing with PMMA diffuser

Protection Class

IP20

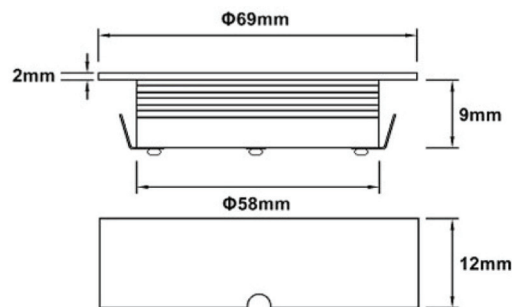
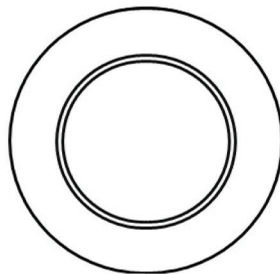
Weight

0.1Kg



Height	AVRE	Diameter
1.00m	14.05lx	361.52cm
2.00m	3.51lx	723.05cm
3.00m	1.56lx	1084.57cm
4.00m	0.88lx	1446.09cm
5.00m	0.56lx	1807.62cm

Angle: 122.1°



TECHNICAL SPECIFICATIONS IP 20

BH Code	Type	Housing Colour	Main Voltage	Power	CCT	Beam Angle	Ambient Temp (Ta)	System Lumen
LADC34BD	DC3BD	Black	24V DC	3W	4000K	120°	-20°C ~ +40°C	210lm
LADC34WD	DC3WD	White	24V DC	3W	4000K	120°	-20°C ~ +40°C	210lm

Also available in other CCT.

